

Revisions				216339	D
LAL	Rev.	Description	Chk	Date	Approved
	A	ENGRG RELEASE	<i>bn</i>	7-8-76	<i>RF</i>
	B	REVISED; ADDED ITEM 27	<i>EM bn</i>	7-28-76	<i>bn RF</i>
	C	ADDED NOTE 2. SH 7 REVISED "WAKECURT" SCHEMATIC. SH 12 REVISED "SWKMRT" SCHEMATIC.	<i>bn</i>	10-11-76	<i>RF</i>
	D	M/L ITEM 38 P/N WAS P3601, ITEM 55 P/N WAS 514-AG10D, ITEM 56 P/N WAS 516-AG10D.	<i>bn</i>	4-13-77	<i>bn</i>

**ENGINEERING  
RELEASE**

THIS DOCUMENT CONTAINS 14 SHEETS.

Dist Code **ALT**

These drawings and specifications, and the data contained therein, are the exclusive property of Xerox Corporation and/or Rank Xerox, Ltd. issued in strict confidence and shall not, without the prior written permission of Xerox Corporation or Rank Xerox, Ltd., be reproduced, copied or used for any purpose whatsoever, except the manufacture of articles or Xerox Corporation or Rank Xerox, Ltd.

- Notes Unless Specified
- 1. Tolerances  
.XX ±.03      Angular ±1/2°  
.XXX ±.010
  - 2. Break All Sharp Edges  
.010 Approx.
  - 3. Mach. Surfaces
  - 4. All Dim. in Inches

Drawn *Mateke*  
Check *Estimera*  
Appr. *bn*  
Material

Xerox Corporation  
El Segundo, California

**XEROX**

Title  
**ALTO II**  
**ASSEMBLY, PRINTED WIRING -**  
**DISPLAY CONTROL**

Del No. **ALTO II**  
Part Use **EWO 7YF92**

Next Assy. First Use **216302**

Finish

Code Ident. **18338**

Size **A**

Dwg. No. **216339**

Change Letter **D**

Scale -      Do Not Scale Drawing      Sheet **1**

**NOTES: UNLESS OTHERWISE SPECIFIED**

1. ASSEMBLE PER ALTO II MODULE ASSEMBLY SPECIFICATION, DWG NO. 216207.
2. CUT ETCH & ADD JUMPERS AS FOLLOWS: (FOR "B" REV ASSYS ONLY)
  - A. CUT ETCH BETWEEN A20-13 AND PIN 115 (CIRCUIT SIDE).
  - B. ADD JUMPER FROM A20-13 TO A18-13 (CIRCUIT SIDE).
  - C. ADD JUMPER FROM A18-12 TO PIN 115 (CIRCUIT SIDE).
  - D. CUT ETCH BETWEEN A18-14 AND FEEDTHRU BETWEEN A57 AND A58(CONNECTS TO A54-10) (CIRCUIT SIDE).
  - E. CUT ETCH BETWEEN A21-9 AND A62-6 (CIRCUIT SIDE)
  - F. ADD JUMPER:

	FROM:	TO:
1)	A8-9	A21-9
2)	A8-5	A8-11
3)	A8-11	A8-15
4)	A8-4	A8-12
5)	A18-14	A8-10
6)	A8-13	A8-14
7)	A8-13	A54-10 (FEED-THRU BETWEEN A57 & A58)

These drawings and specifications, and the data contained therein, are the exclusive property of Xerox Corporation and/or Rank Xerox, Ltd. issued in strict confidence and shall not, without the prior written permission of Xerox Corporation or Rank Xerox, Ltd., be reproduced, copied or used for any purpose whatsoever, except the manufacture of articles for Xerox Corporation or Rank Xerox, Ltd.

Title ALTO II  
ASSEMBLY, P.W.-  
DISPLAY CONTROL

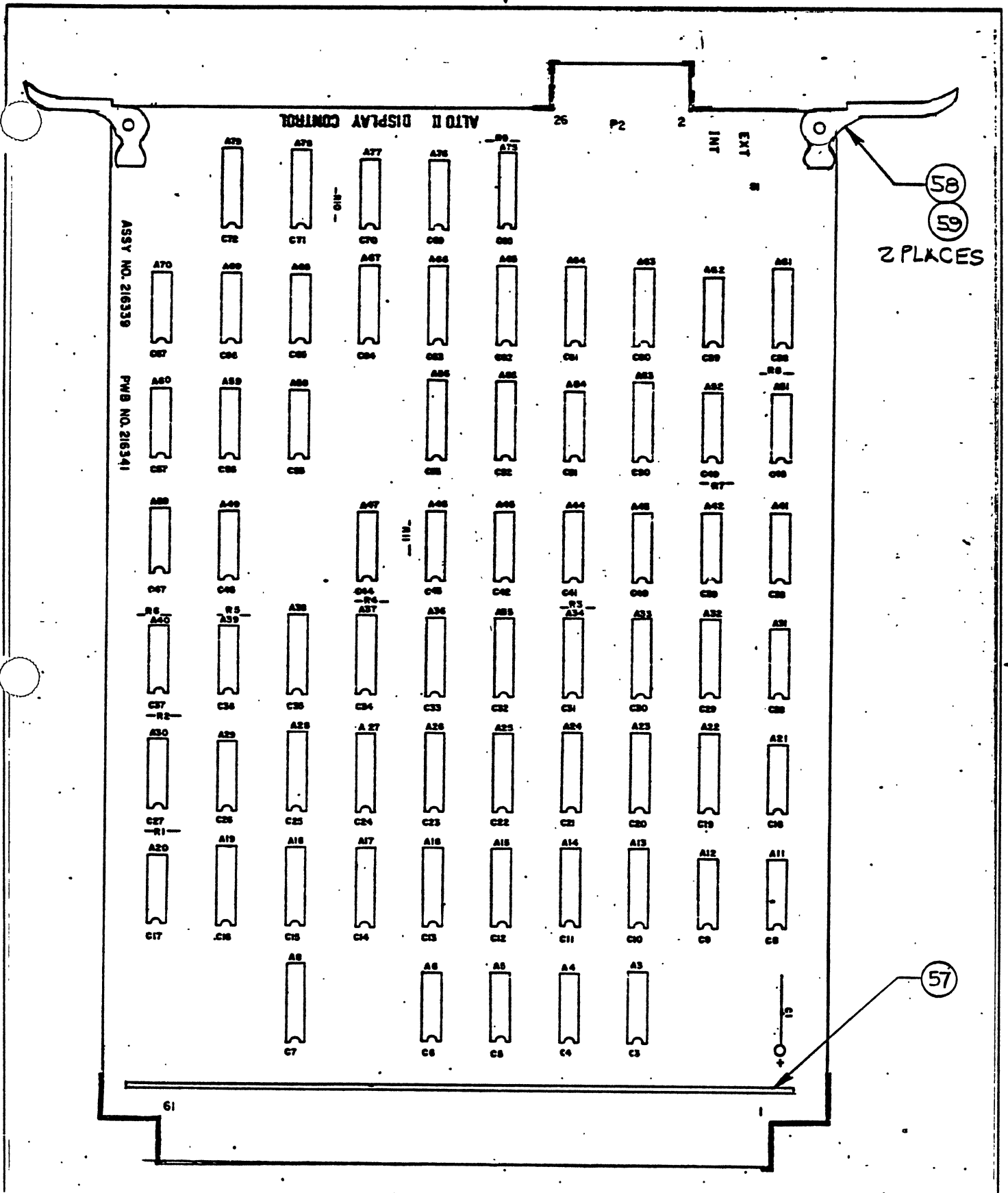
Xerox Corporation  
El Segundo, California

**XEROX**

216339

D

Sheet 2 Of



These drawings and specifications, and the data contained therein, are the exclusive property of Xerox Corporation and/or Rank Xerox, Ltd. issued in strict confidence and shall not, without the prior written permission of Xerox Corporation or Rank Xerox, Ltd., be reproduced, copied or used for any purpose whatsoever, except the manufacture of articles for Xerox Corporation or Rank Xerox, Ltd.

Title  
**ASSY, PRINTED WIRING**  
**DISPLAY CONTROL**

Xerox Corporation  
 El Segundo, California

**XEROX**

216339

D

Sheet 3 Of

<b>ML</b>	Drawing No. 216339	Rev. D
-----------	-----------------------	-----------

**Material List**

Drawing Title  
 ALTO II  
 Drawing No. 216339  
 ML

Drawing Title  
**ALTO II**  
**ASSEMBLY, PRINTED WIRING-**  
**DISPLAY CONTROL**

These drawings and specifications, and the data contained therein, are the exclusive property of Xerox Corporation and/or Rank Xerox, Ltd. issued in strict confidence and shall not, without the prior written permission of Xerox Corporation or Rank Xerox, Ltd., be reproduced, copied or used for any purpose whatsoever, except the manufacture of articles for Xerox Corporation or Rank Xerox, Ltd.

Model No. EWO 7YF92	Date 3/4/76	Sheet 4 of
------------------------	----------------	---------------

Item No.	Drawing Title	Drawing No.	No. Req.	Remarks
1	Board, P.W., Display Control	216341	1	
2	Procedure, Test	216340	REF	
3	Spec, Module Assembly	216207	REF	
4	Microcircuit, 74H00		4	A29,30,43,58
5	74H01		1	A40
6	74H04		1	A42
7	74H08		1	A31
8	74H10		1	A21
9	74H11		2	A11,12
10	74H21		1	A46
11	74H30		1	A76
12	74H50		1	A52
13	74H74		3	A44, 45, 47
14	74157		1	A35
15	74166		4	A17,22,28,32
16	74174		2	A18,64
17	74279		1	A19
18	74298		1	A56
19	74S02		2	A20,50
20	74S04		4	A41,49,62,70
21	74S10		1	A59
22	74S163		3	A61,78,79
23	74LS08		4	A3,4,5,6
24	74S08		1	A39
25	74S74		1	A68
26	Microcircuit, 74S00		1	A69
27	MICROCIRCUIT, 74109		1	A8
28				
29				
30	Microcircuit, 13101A Intel		4	A14,15,24,25
31	Microcircuit, 13404 Intel		3	A13,23,34
32				
33				

<b>ML</b>	Drawing No. 216339	Rev. D
-----------	-----------------------	-----------

**Material List**

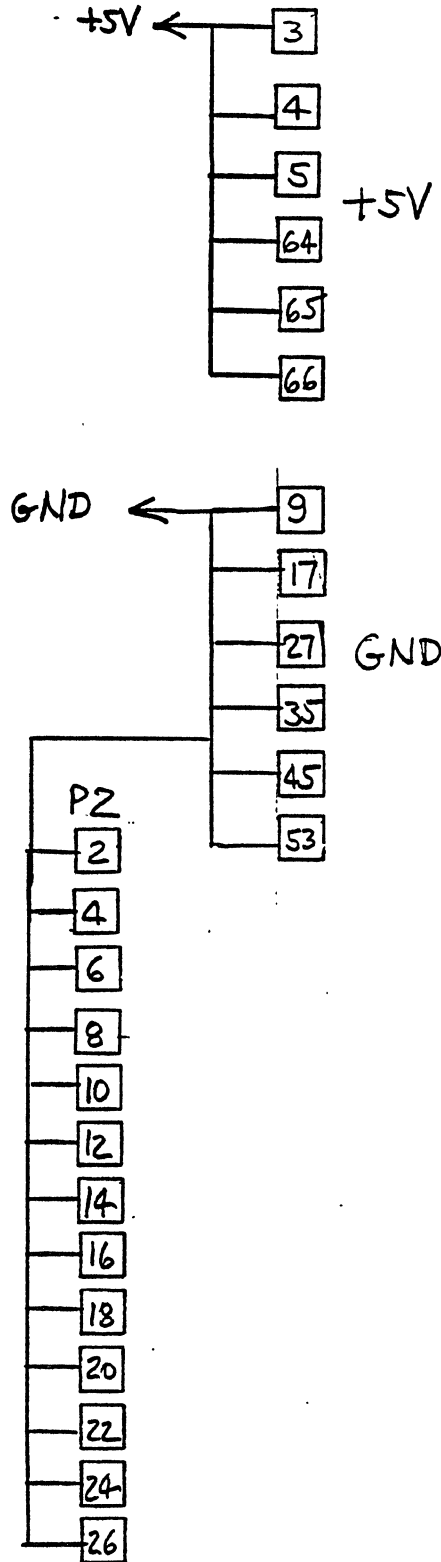
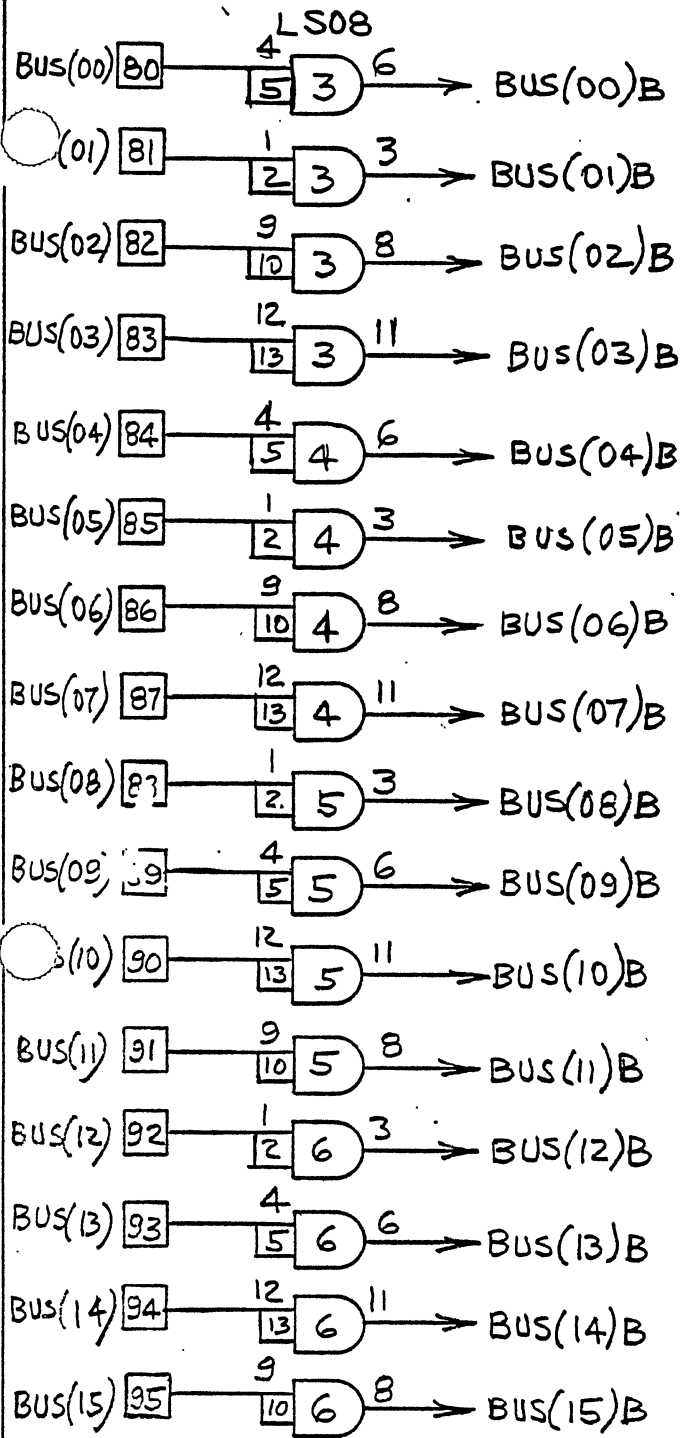
Drawing No. 216339  
ML

Drawing Title  
**ALTO II**  
**ASSEMBLY, PRINTED WIRING-**  
**DISPLAY CONTROL**

These drawings and specifications, and the data contained therein, are the exclusive property of Xerox Corporation and/or Rank Xerox, Ltd. issued in strict confidence and shall not, without the prior written permission of Xerox Corporation or Rank Xerox, Ltd., be reproduced, copied or used for any purpose whatsoever, except the manufacture of articles for Xerox Corporation or Rank Xerox, Ltd.

Model No. EWO 7YF92	Date 3/4/76	Sheet 5 of
------------------------	----------------	---------------

Item No.	Drawing Title	Drawing No.	No. Req.	Remarks
34	Microcircuit, MC3026 Motorola		2	A54,77
35	K1091A Motorola		1	OSC 20.16MHZ A60
36	K1100A Motorola		1	OSC 29.40 MHZ A51
37	S82S23 Signet		1	2.56 PROM A63
38	P3601-1 M.I.L.		2	A38,66
39	F9316 Fairchild		9	A16,26,27,36,37, 55,65,67,75
40	Microcircuit, 898-1-330 Beckman		2	A33,53
41				
42				
43				C55 Thru 72
44				C3 Thru 44,46 Thru 53
45	Capacitor, .05 uF, 10V		68	Centralab #UK-10-503
46	Capacitor, Tant. 22 uF, 15V	187720-005	1	C1
47				
48				
49				
50	Resistor, 330Ω, ±5%, 1/4W	116447-331	7	R1,2,3,5,6,7,11
51	Resistor, 1K, ±5%, 1/4W	116447-102	4	R4,8,9,10
52				
53				
54	Switch		1	Contrl Sw # T8201
55	Socket, Microcircuit		34	Augat #514-AG11D
56	Socket, Microcircuit		34	Augat #516-AG11D
57	Stiffener	216242	1	
58	Extractor, Module	216250	2	
59	Rivet	156111-005	2	



BUS BUFFERS

These drawings and specifications, and the data contained therein, are the exclusive property of Xerox Corporation and/or Rank Xerox, Ltd. issued in strict confidence and shall not, without the prior written permission of Xerox Corporation or Rank Xerox, Ltd., be reproduced, copied or used for any purpose whatsoever, except the manufacture of articles for Xerox Corporation or Rank Xerox, Ltd.

Title  
ALTO II  
ASSEMBLY, P.W.-  
DISPLAY CONTROL

Xerox Corporation  
El Segundo, California

**XEROX**

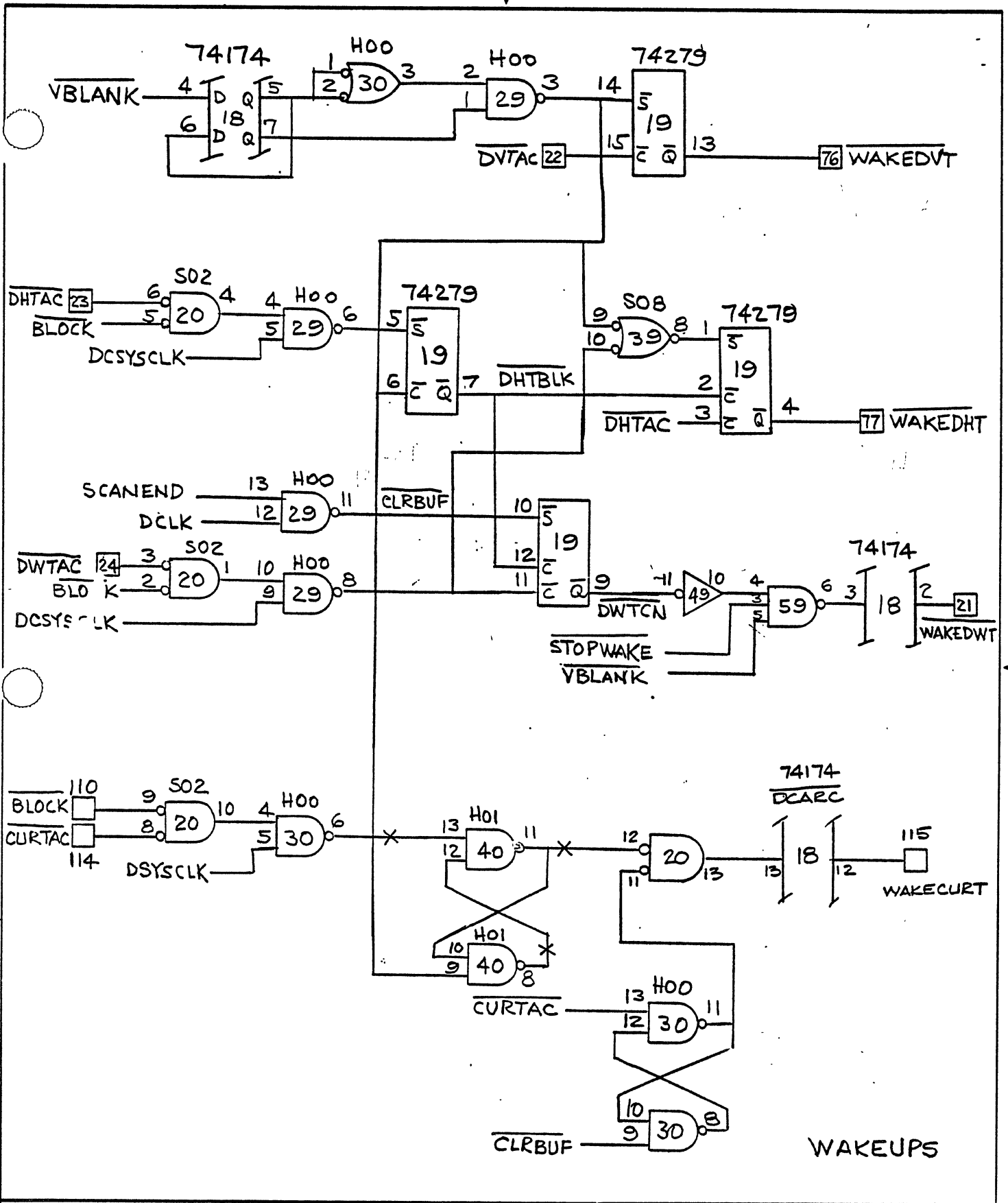
216339

D

Sheet

6

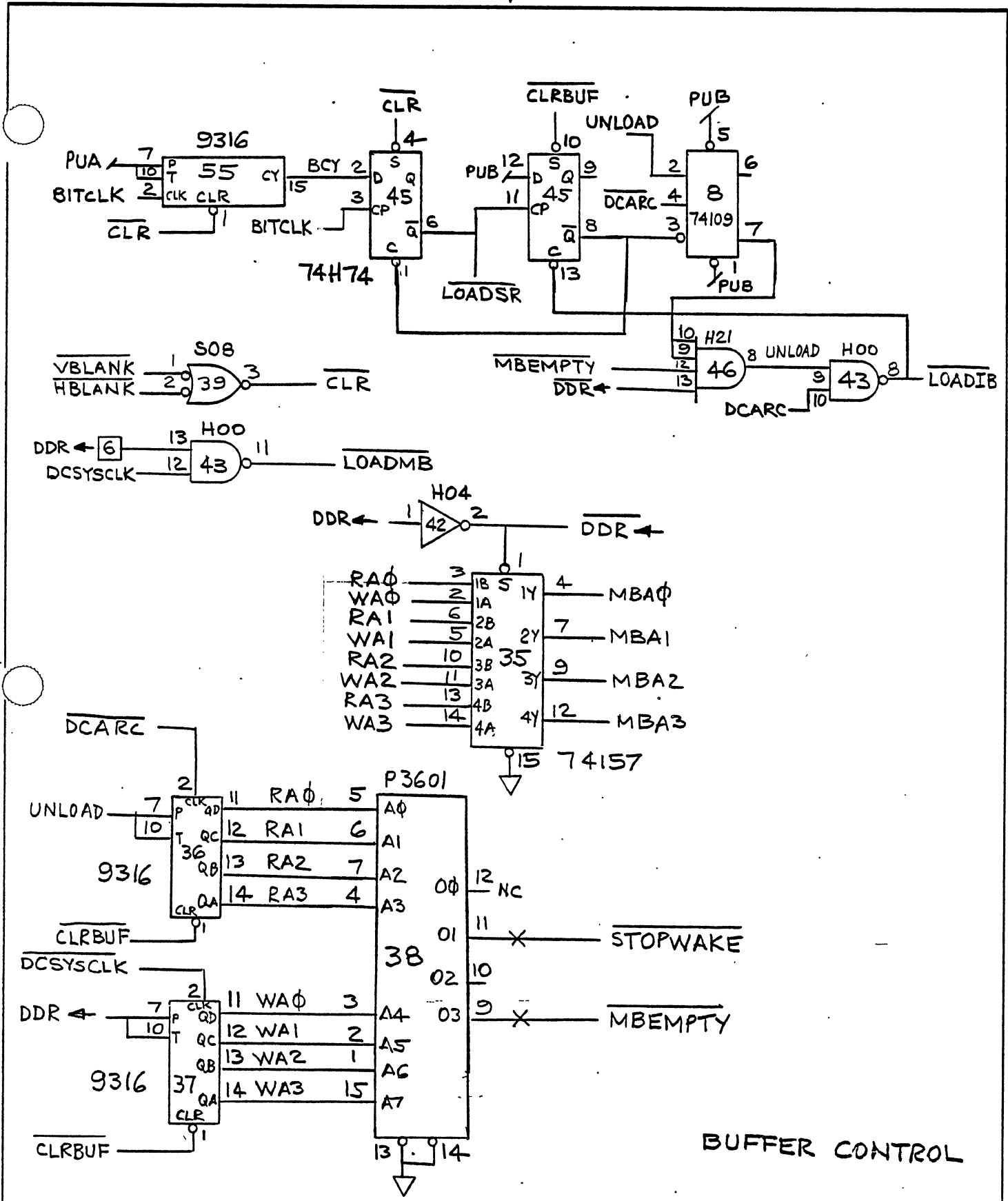
Of



These drawings and specifications, and the data contained therein, are the exclusive property of Xerox Corporation and/or Rank Xerox Ltd. issued in strict confidence and shall not, without the prior written permission of Xerox Corporation or Rank Xerox, Ltd., be reproduced, copied or used for any purpose whatsoever, except the manufacture of articles for Xerox Corporation or Rank Xerox, Ltd.

Title  
**ALTO II**  
**ASSEMBLY, P.W.-**  
**DISPLAY CONTROL**

Xerox Corporation  
 El Segundo, California  
**XEROX**  
 216339  
 D  
 Sheet 7 Of



**BUFFER CONTROL**

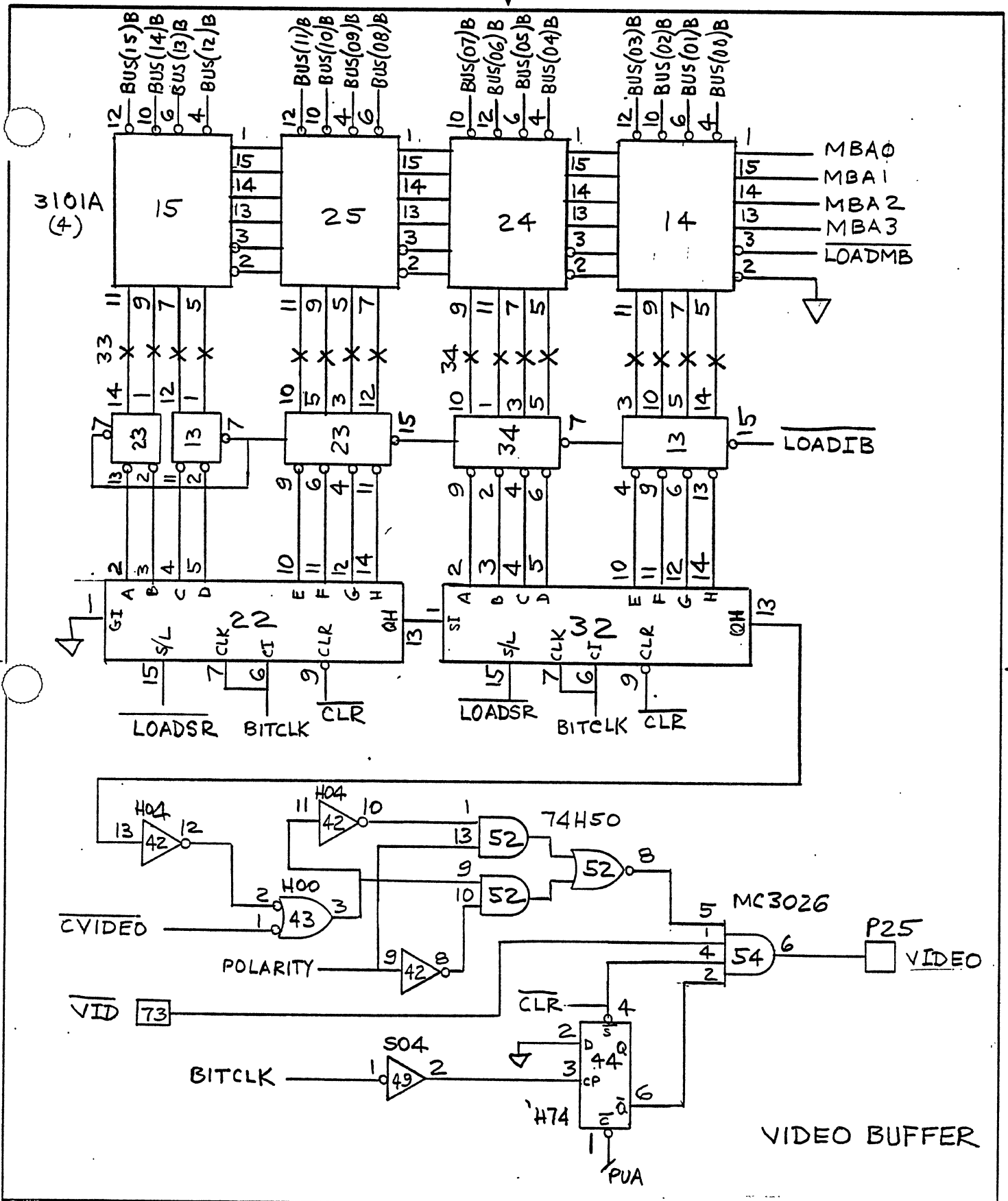
These drawings and specifications, and the data contained therein, are the exclusive property of Xerox Corporation and/or Rank Xerox, Ltd. issued in strict confidence and shall not, without the prior written permission of Xerox Corporation or Rank Xerox, Ltd., be reproduced, copied or used for any purpose whatsoever, except the manufacture of articles for Xerox Corporation or Rank Xerox, Ltd.

Title  
**ALTO II**  
**ASSEMBLY, P.W.-**  
**DISPLAY CONTROL**

Xerox Corporation El Segundo, California		<b>XEROX</b>
216339	D	
Sheet	8	Of







These drawings and specifications, and the data contained therein, are the exclusive property of Xerox Corporation and/or Rank Xerox, Ltd. issued in strict confidence and shall not, without the prior written permission of Xerox Corporation or Rank Xerox, Ltd., be reproduced, copied or used for any purpose whatsoever, except the manufacture of articles for Xerox Corporation or Rank Xerox, Ltd.

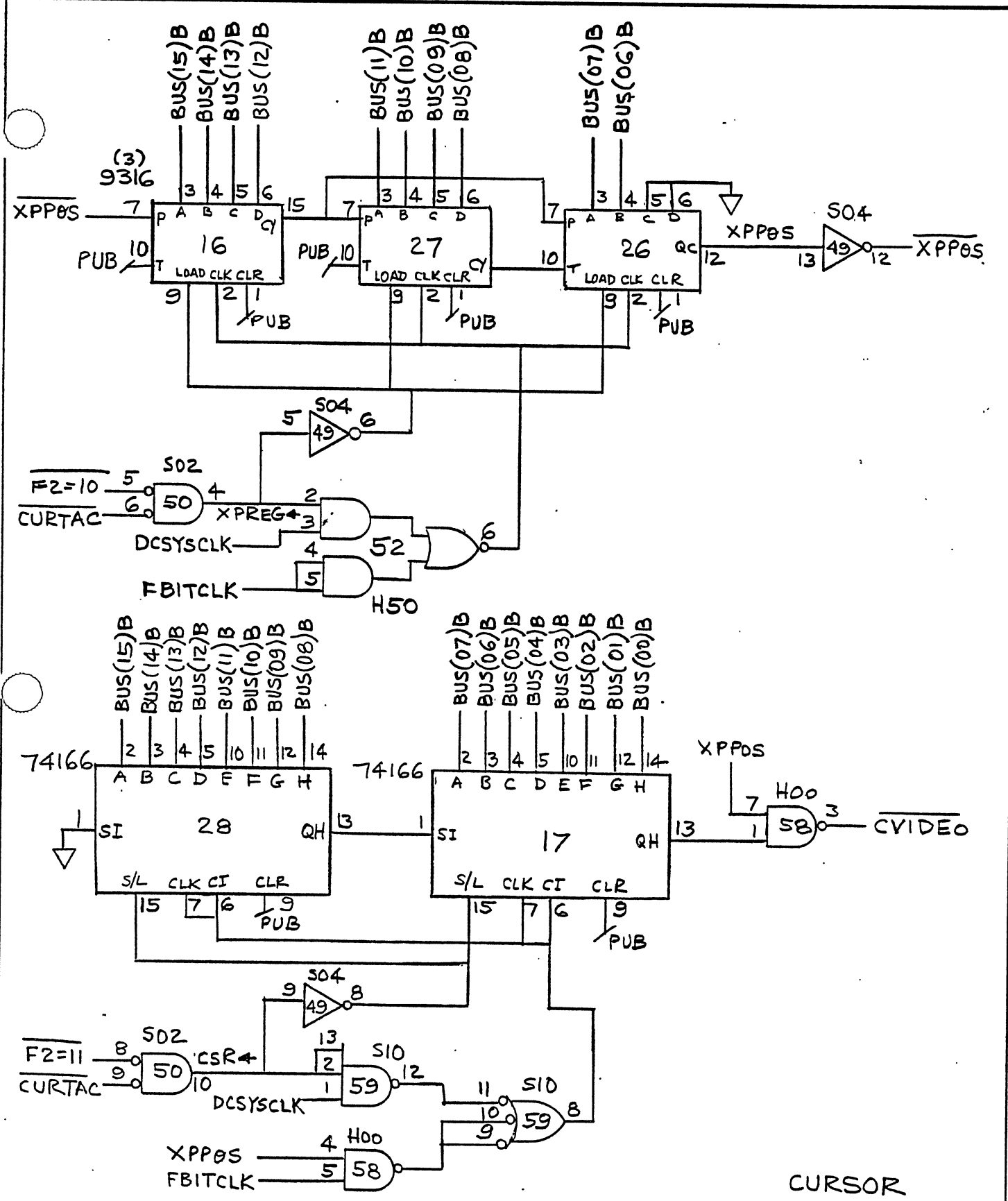
Title  
**ALTO II**  
**ASSEMBLY, P.W.-**  
**DISPLAY CONTROL**

Xerox Corporation  
 El Segundo, California

**XEROX**

216339 D

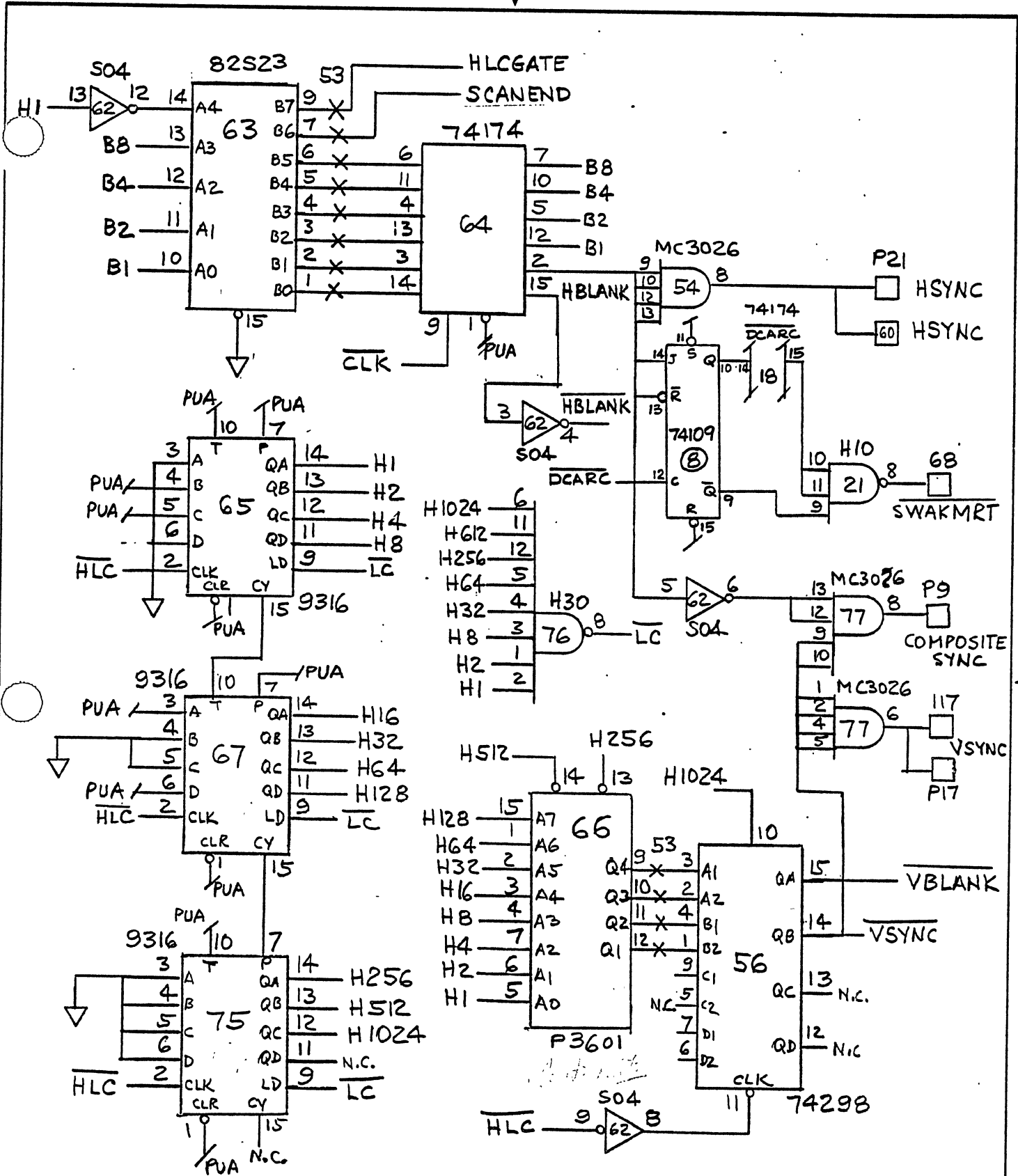
Sheet 10 of



These drawings and specifications, and the data contained therein, are the exclusive property of Xerox Corporation and/or Rank Xerox, Ltd. issued in strict confidence and shall not, without the prior written permission of Xerox Corporation or Rank Xerox, Ltd., be reproduced, copied or used for any purpose whatsoever, except the manufacture of articles for Xerox Corporation or Rank Xerox, Ltd.

Title  
**ALTO II  
 ASSEMBLY, P.W.-  
 DISPLAY CONTROL**

Xerox Corporation  
 El Segundo, California  
**XEROX**  
 215339  
 D  
 Sheet 11 Of

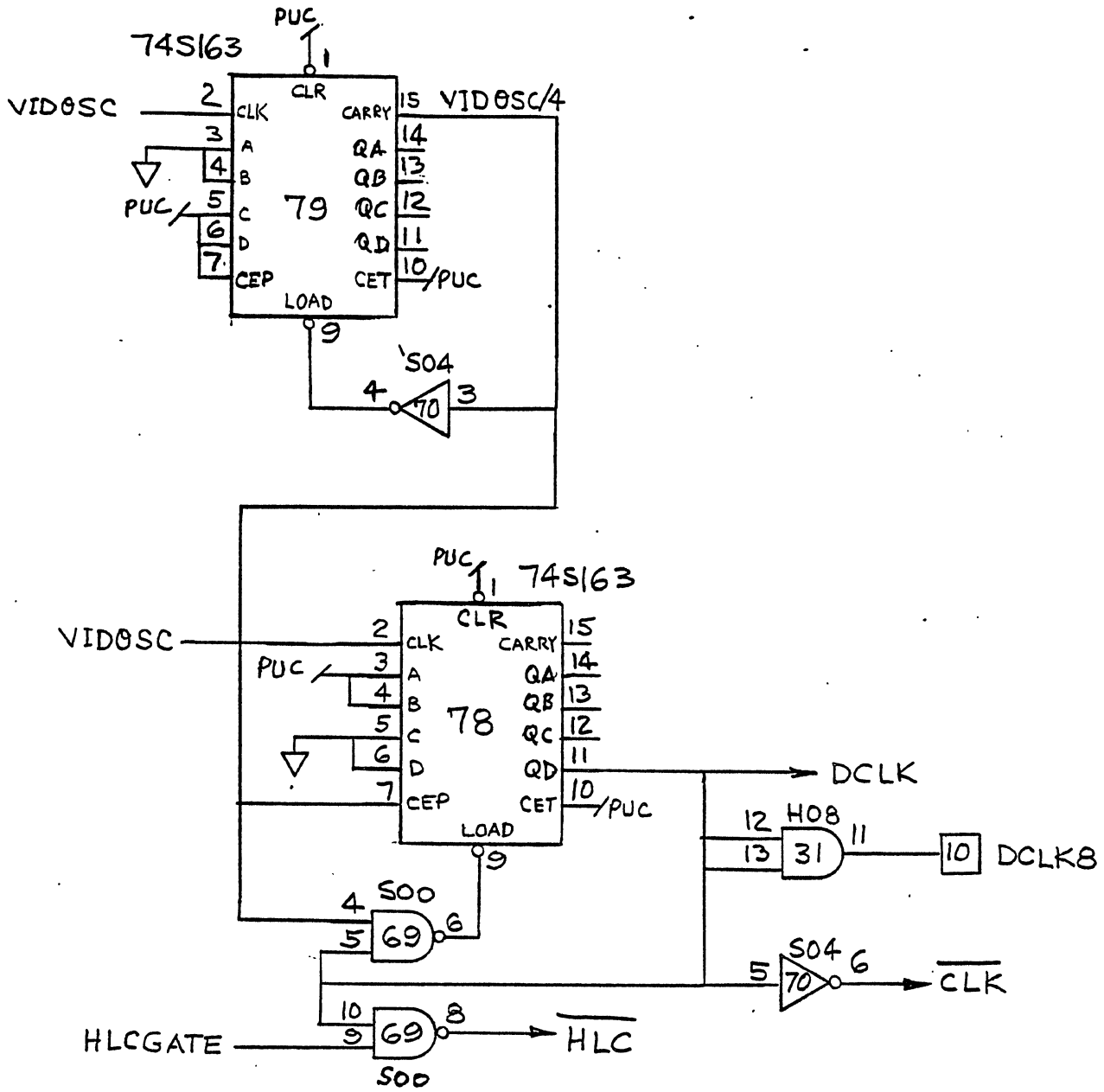


SYNC GENERATOR 875 LINE

These drawings and specifications, and the data contained therein, are the exclusive property of Xerox Corporation and/or Rank Xerox, Ltd. issued in strict confidence and shall not, without the prior written permission of Xerox Corporation or Rank Xerox, Ltd., be reproduced, copied or used for any purpose whatsoever, except the manufacture of articles for Xerox Corporation or Rank Xerox, Ltd.

Title  
**ALTO II  
 ASSEMBLY, P.W.-  
 DISPLAY CONTROL**

Xerox Corporation  
 El Segundo, California  
**XEROX**  
 216339  
 Sheet 12 Of  
 D



These drawings and specifications, and the data contained therein, are the exclusive property of Xerox Corporation and/or Rank Xerox, Ltd. issued in strict confidence and shall not, without the prior written permission of Xerox Corporation or Rank Xerox, Ltd., be reproduced, copied or used for any purpose whatsoever, except the manufacture of articles for Xerox Corporation or Rank Xerox, Ltd.

Title  
**ALTO II**  
**ASSEMBLY, P.W. -**  
**DISPLAY CONTROL**

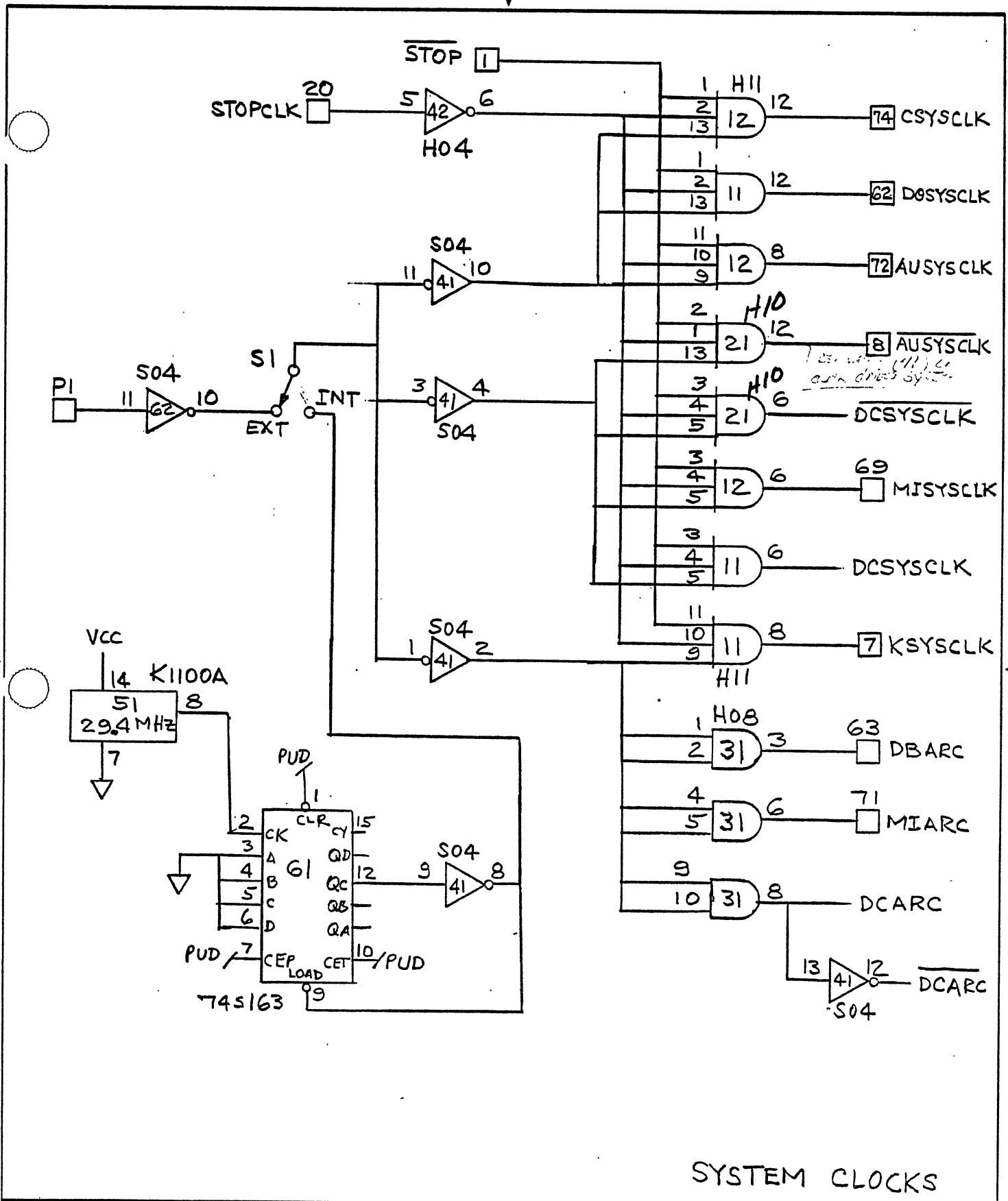
Xerox Corporation  
 El Segundo, California

**XEROX**

216339

D

Sheet 13 of



### SYSTEM CLOCKS

The drawings and specifications, and the data contained therein, are the exclusive property of Xerox Corporation and/or Rank Xerox, Ltd. issued in strict confidence and shall not, without the prior written permission of Xerox Corporation or Rank Xerox, Ltd., be reproduced, copied or used for any purpose whatsoever, except the manufacture of articles for Xerox Corporation or Rank Xerox, Ltd.

Title  
**ALTO II**  
**ASSEMBLY, P.W.-**  
**DISPLAY CONTROL**

Xerox Corporation  
 El Segundo, California  
**XEROX**  
 216339  
 Sheet 14 of  
 D